

# Data Sheet

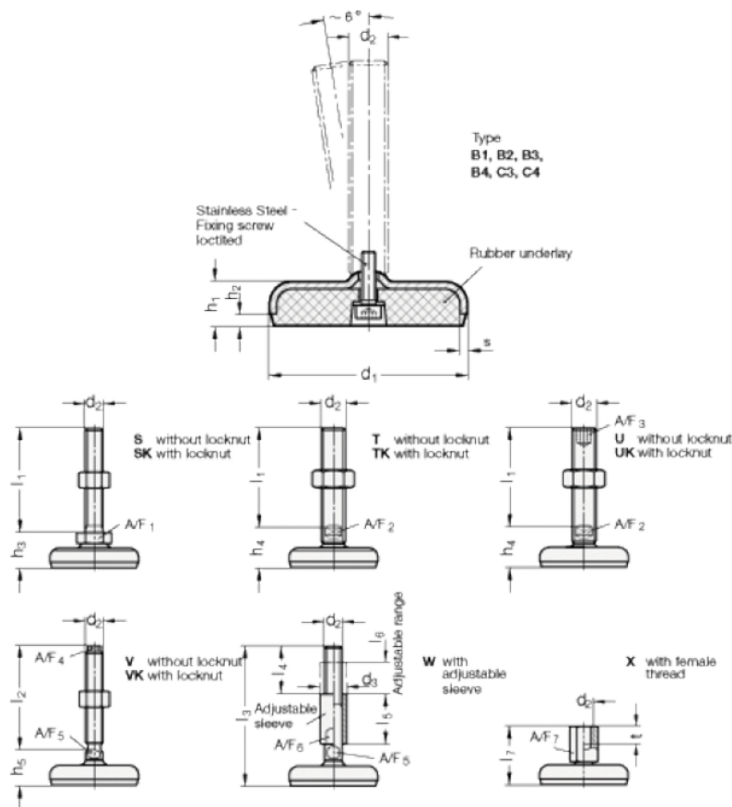


Article number: 203160M16125B4UK

Description: E+G levelling foot  
GN 31-60-M16-125-B4-UK

Note: UK With nut, Hexagon socket at the top, Wrench flat at the bottom

## Measures



A/F2	= 12	s = 3
A/F3	= 8	
d1	= 60	
d2	= 16	
h1	= 16	
h4 +4.0/0	= 30	
l1	= 125	